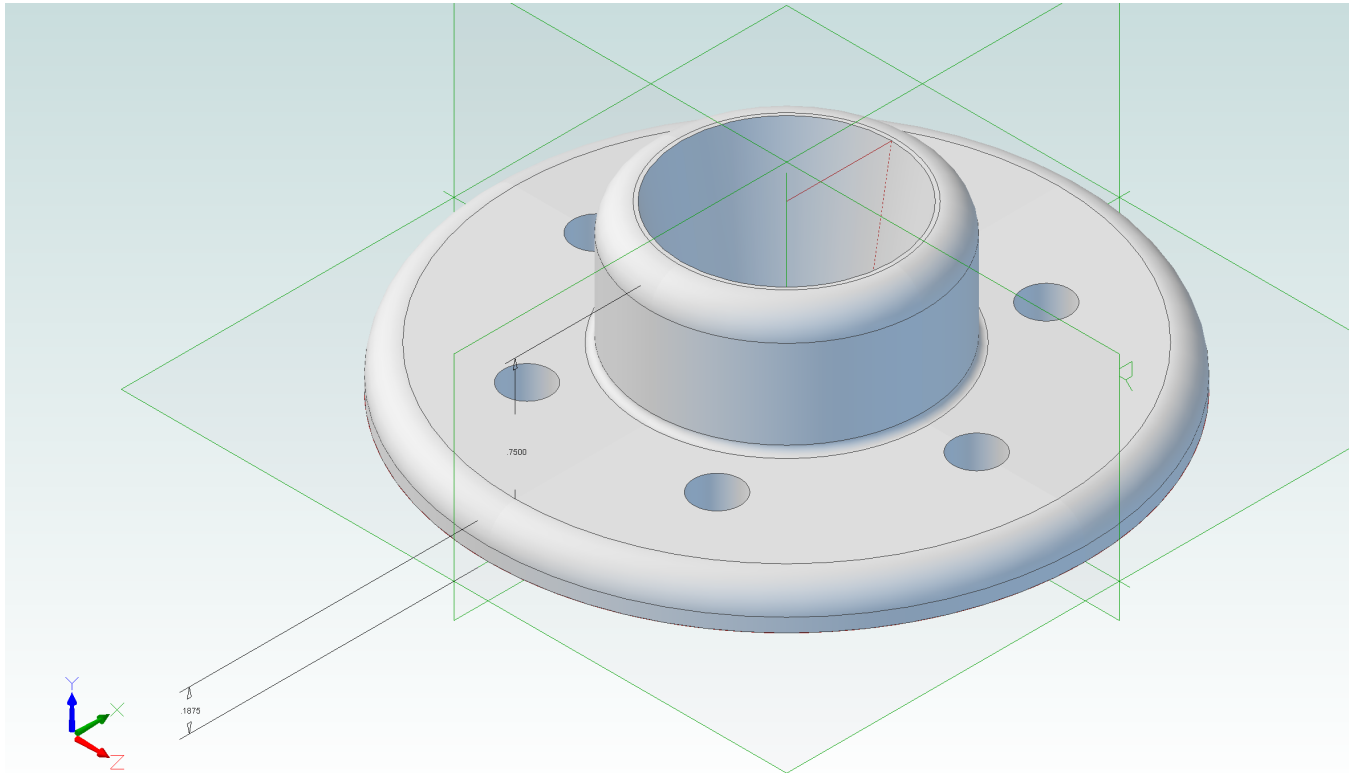


Flange - Outer Coolan Expansion Tank Overflow



87-50-027