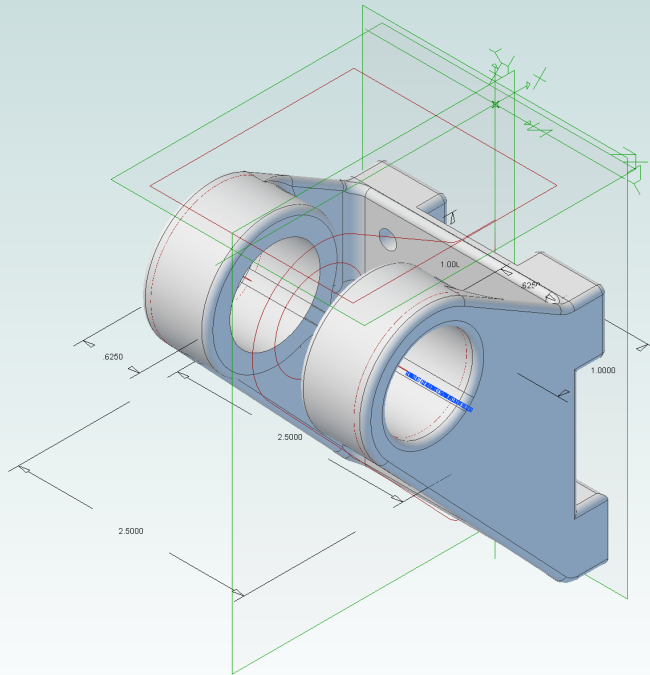


Bracket - Auxiliary Torque Shaft Cowl Flap Control



87-29-523