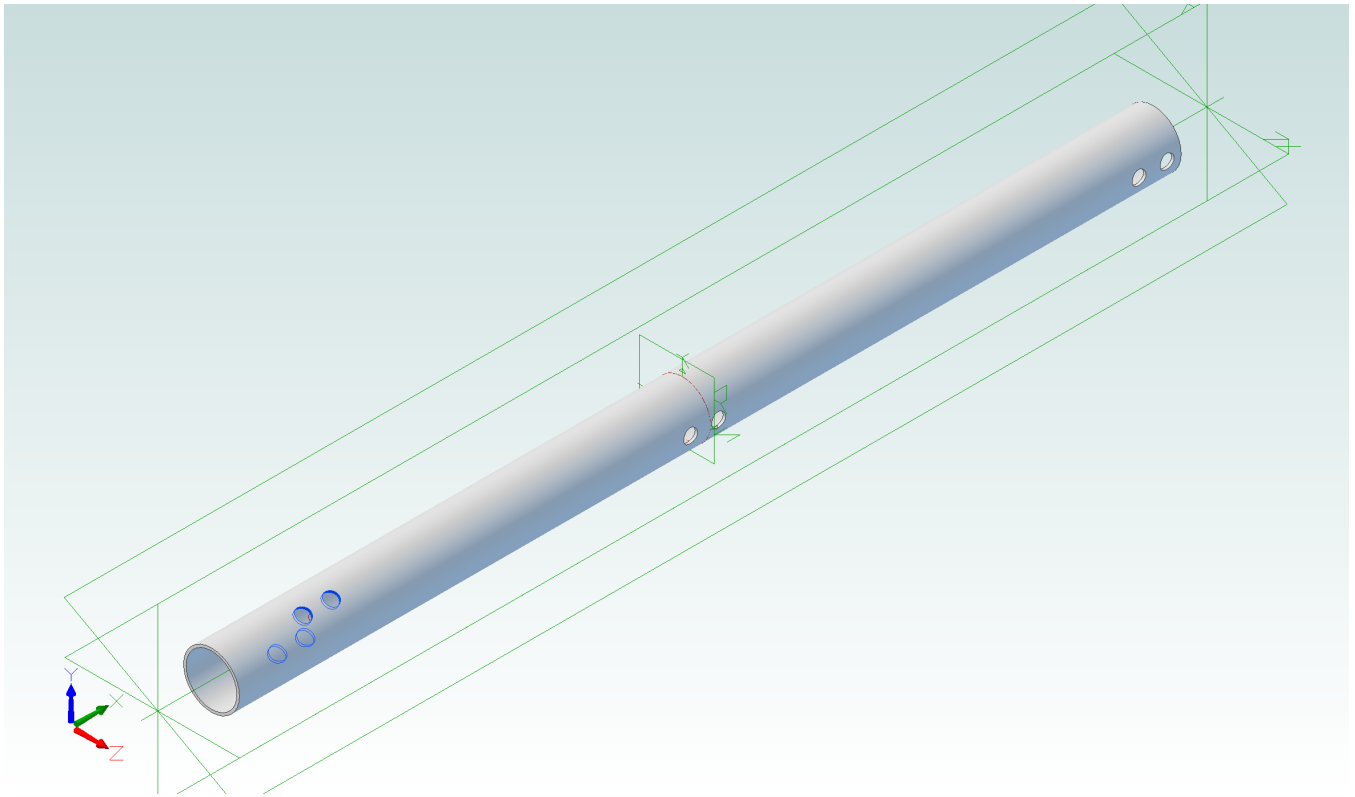


Torque - Shaft Cowl Flap Control



87-29-528