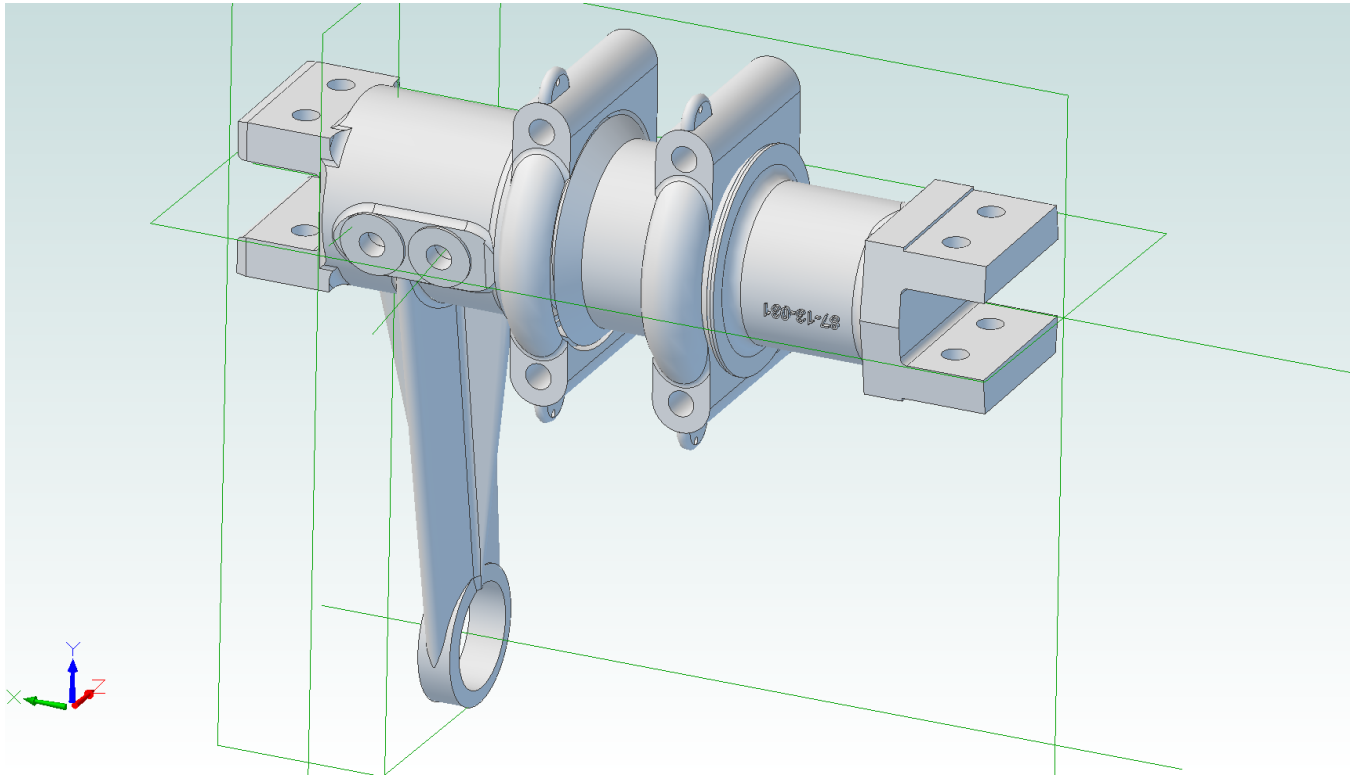


Major Assembly - Tail Erection - Elevator Bearing Assembly



87-15-503

Cross section

