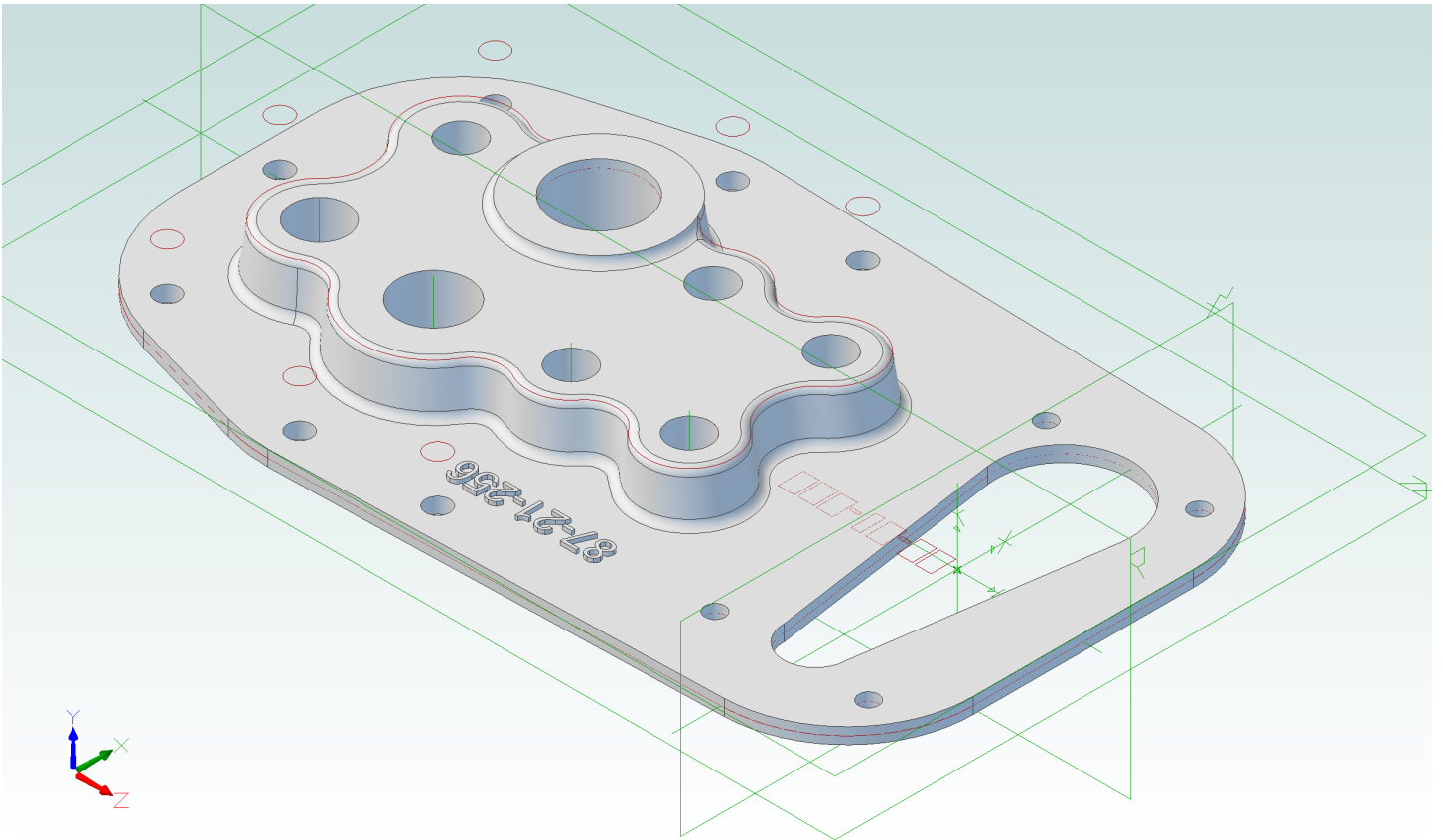
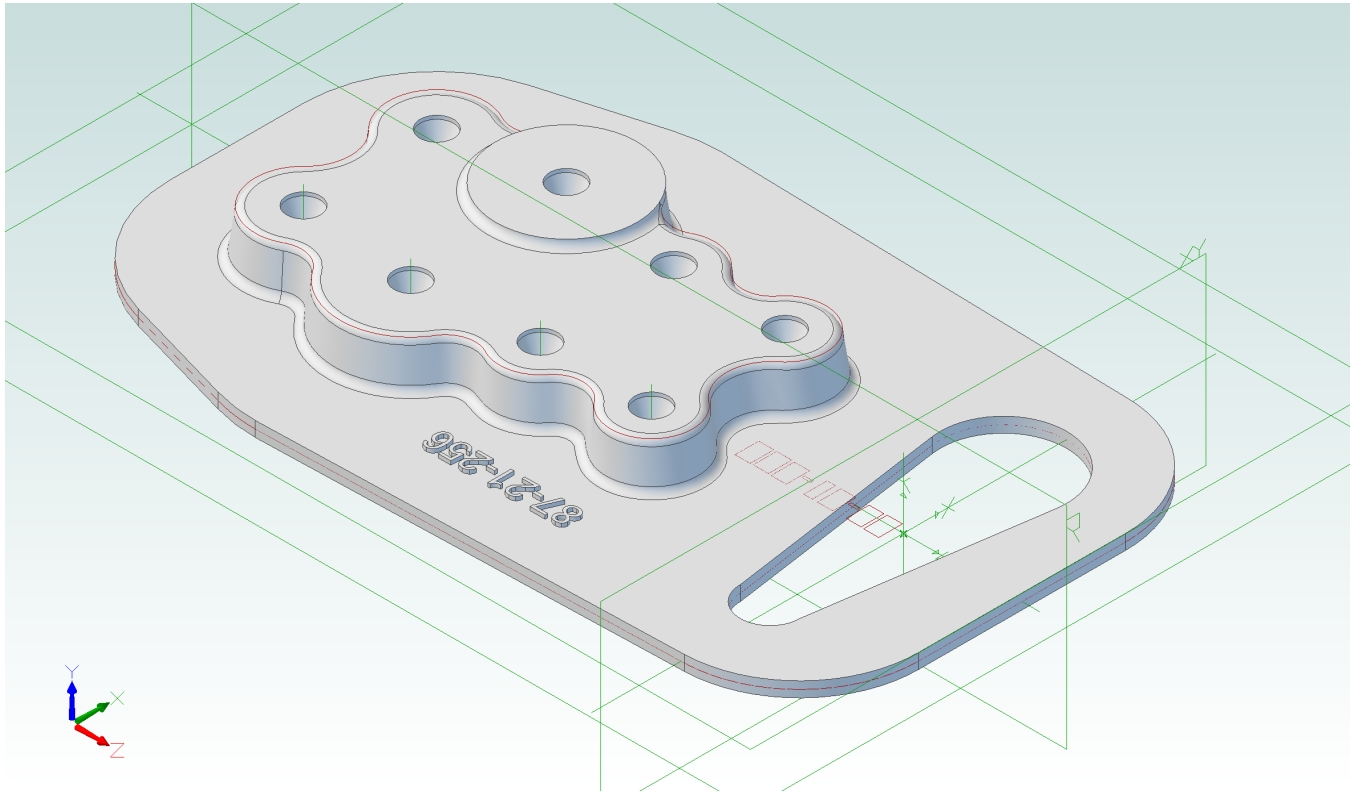
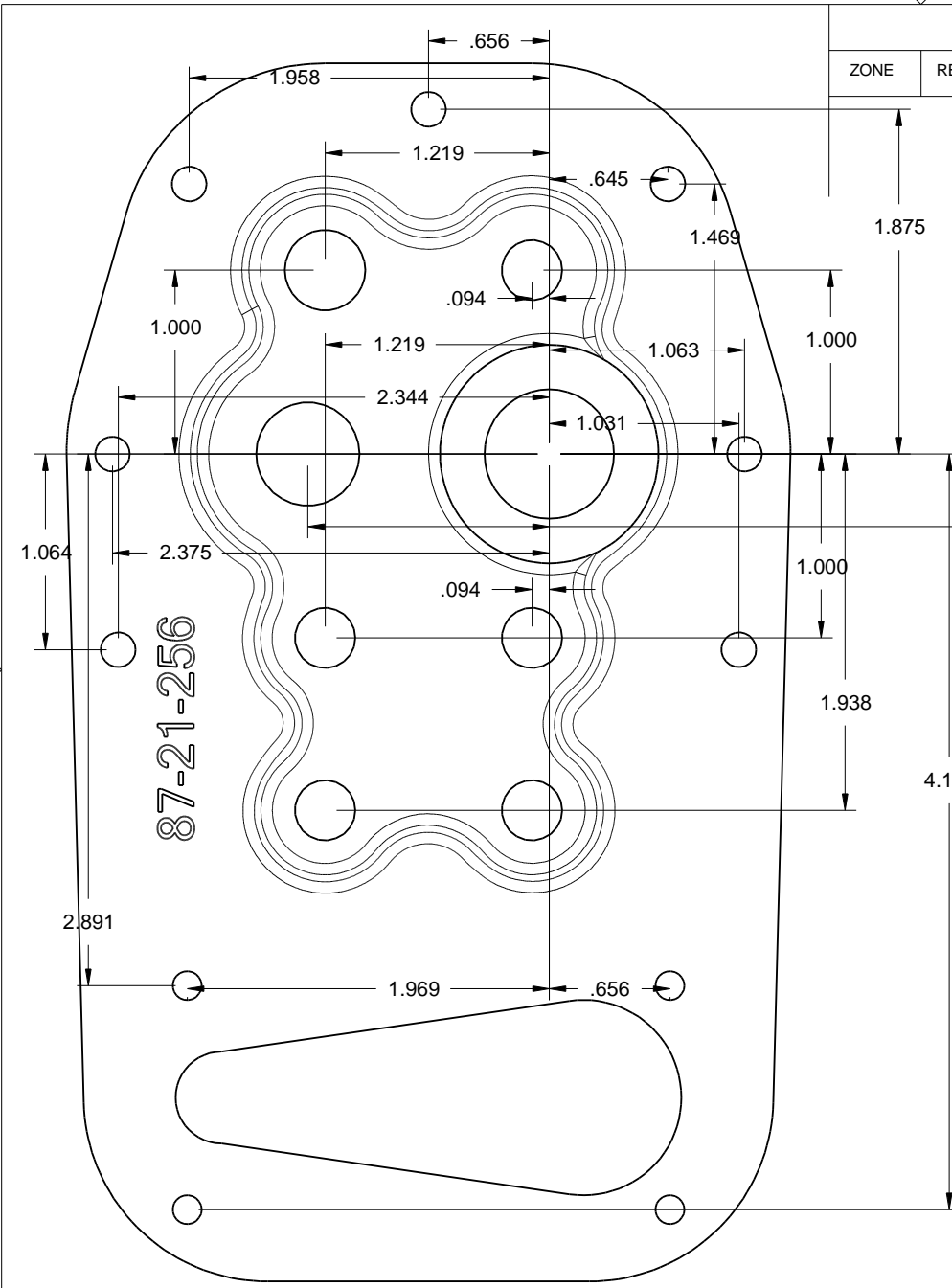


Block - Bulkhead Firewall Station No. 1



Forging





87-21-256

REVISIONS				
ZONE	REV	DESCRIPTION	DATE	APPROVED

SIZE A	FSCM NO.	DWG NO.	REV
SCALE	SHEET		