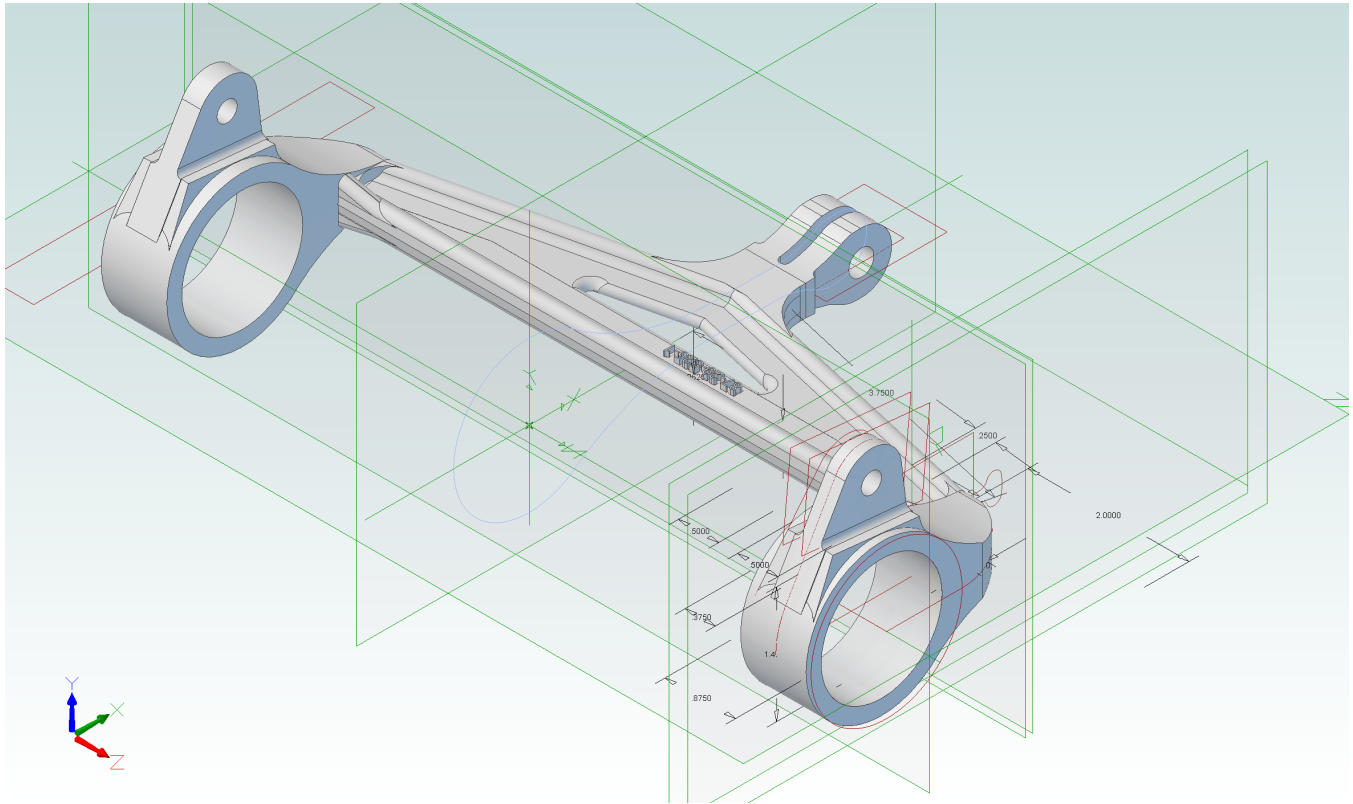


Support Bracket - Torque Shaft - Cowl Flaps



87-29-525

Forging

