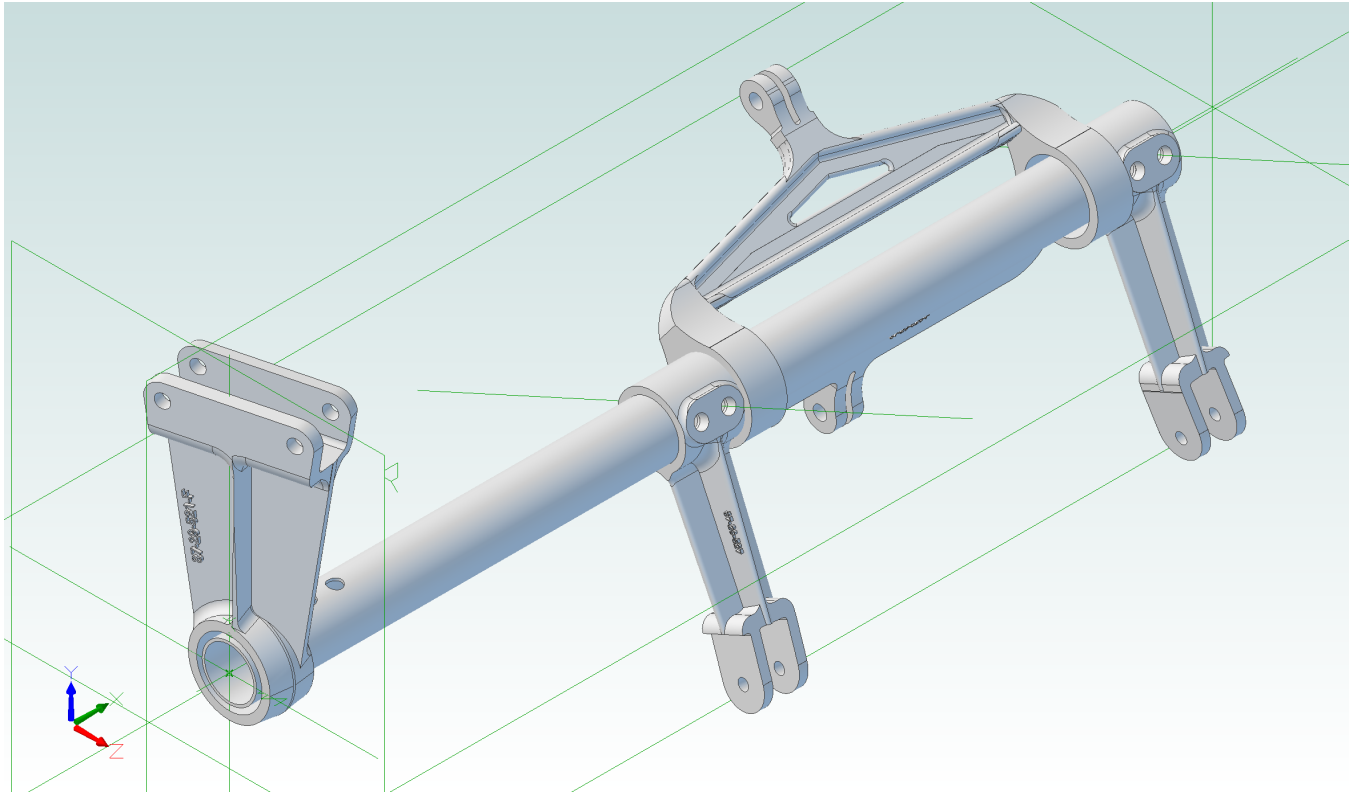


Cowl Flap Control Installation



87-29-520