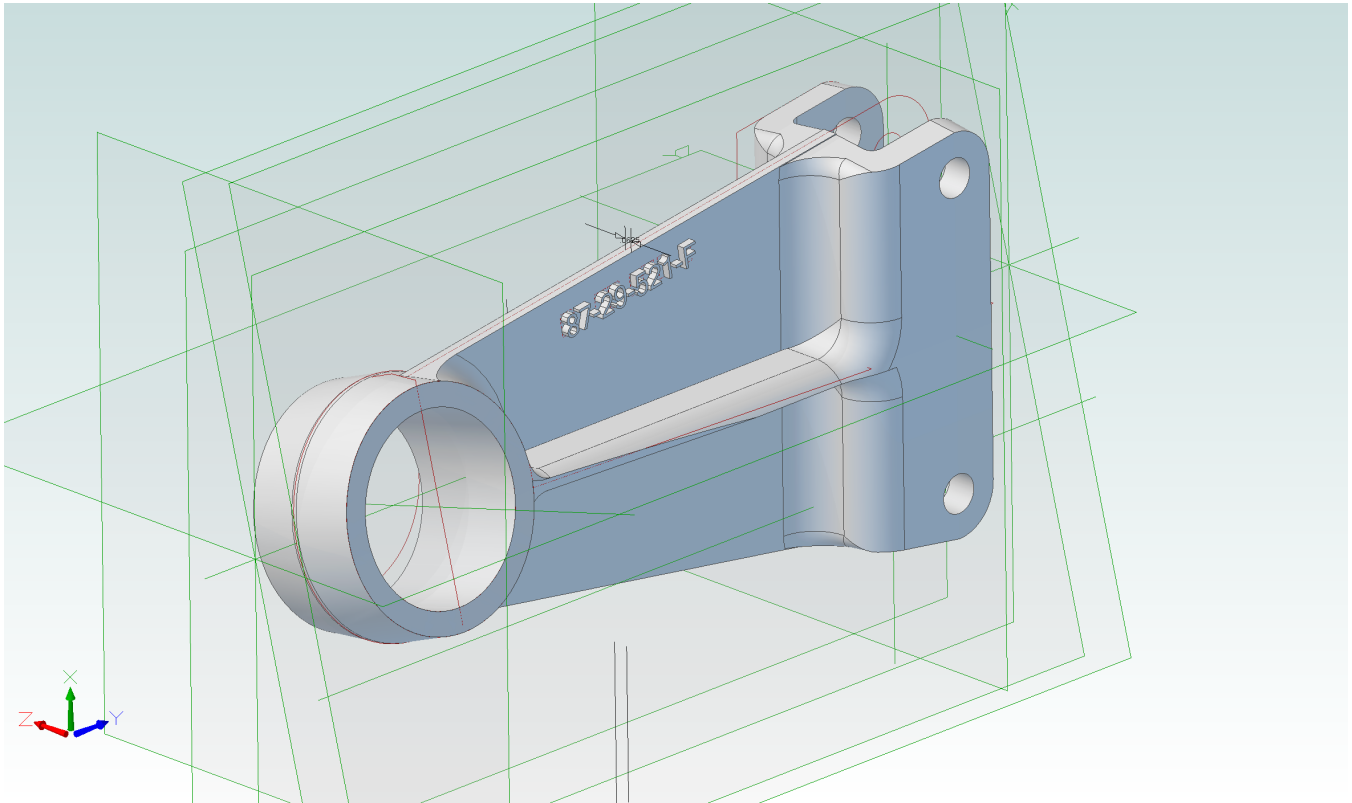


## Support - Torque Shaft-Cowl Flap Control



87-29-521

# Forging

