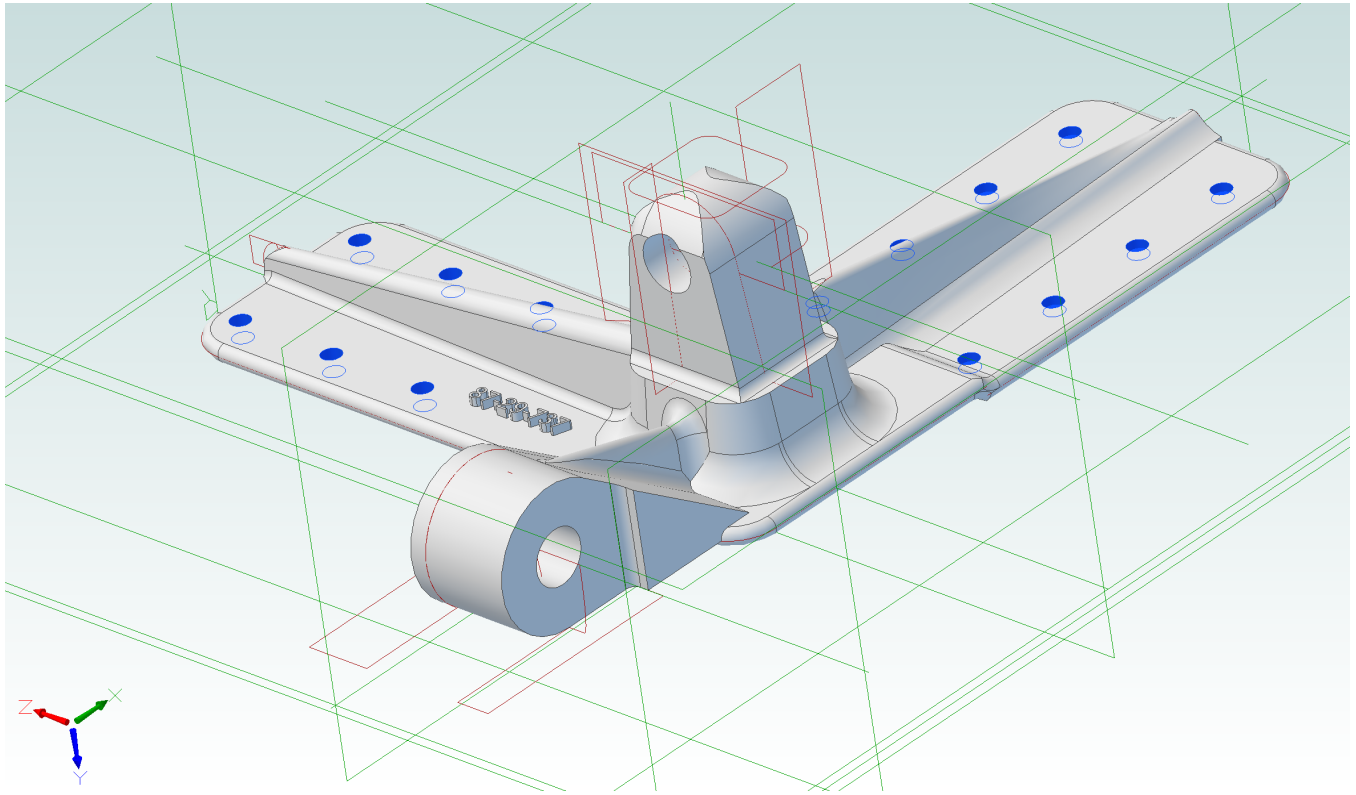


Attachement - F3R Engine Rear Side Cowling - Forward Support



87-29-737

Forging

