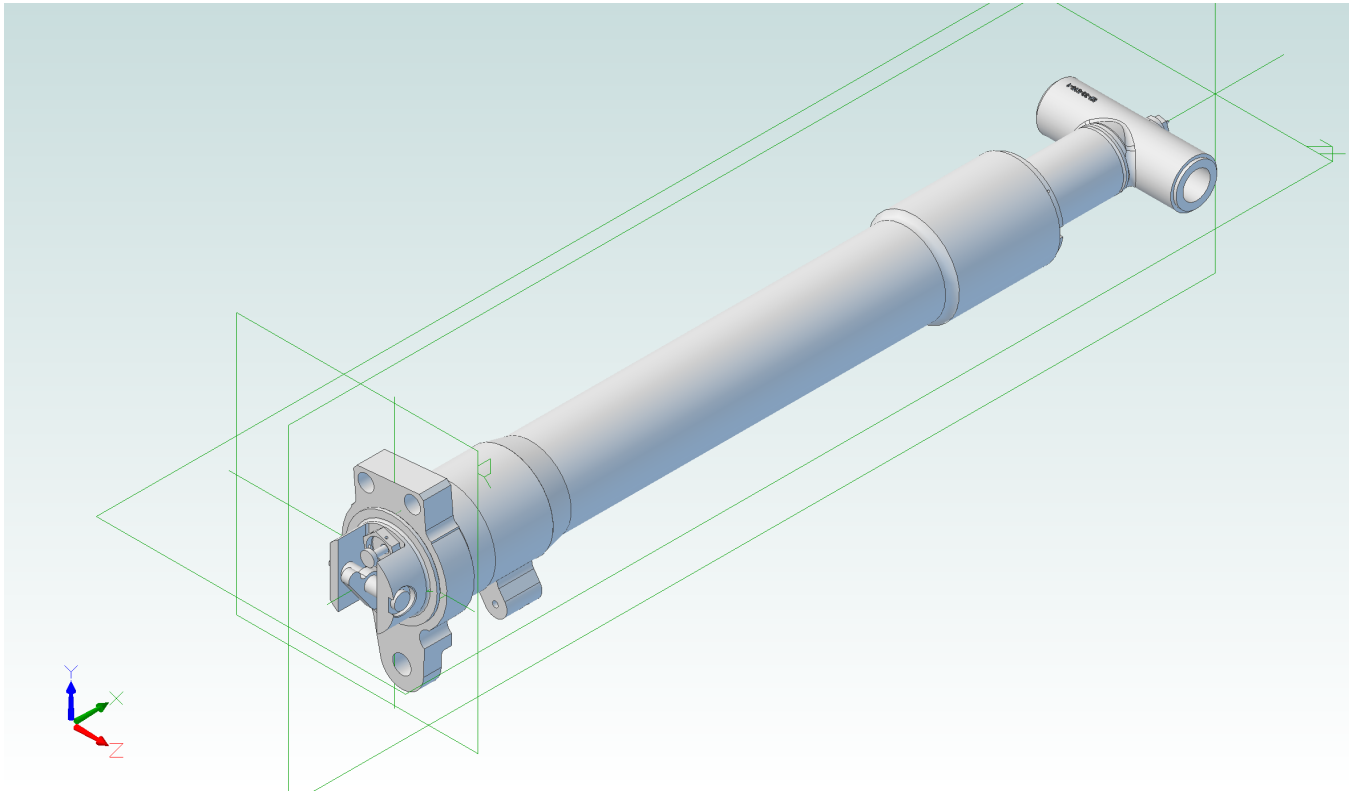
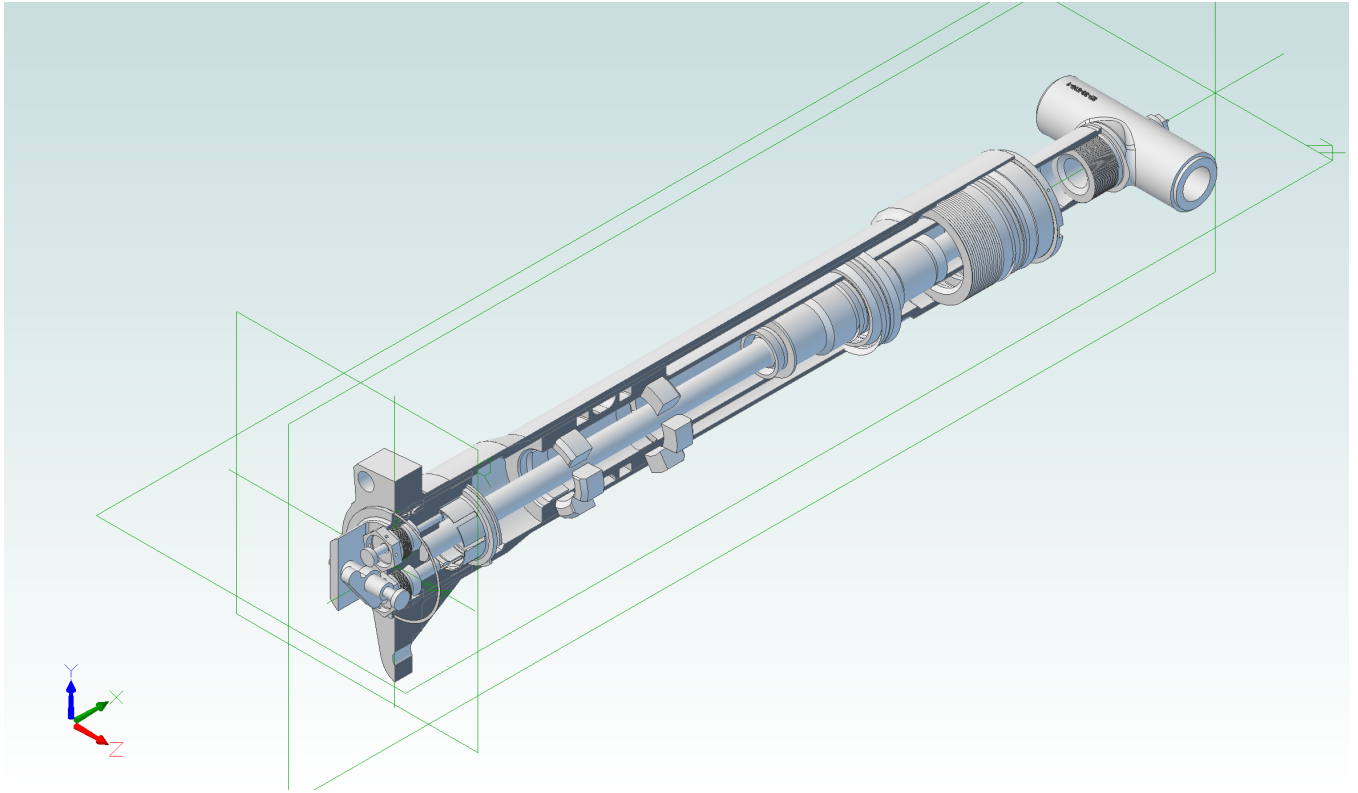


Strut - Retracting



87-31-505

Cross Section



Cross section 2

