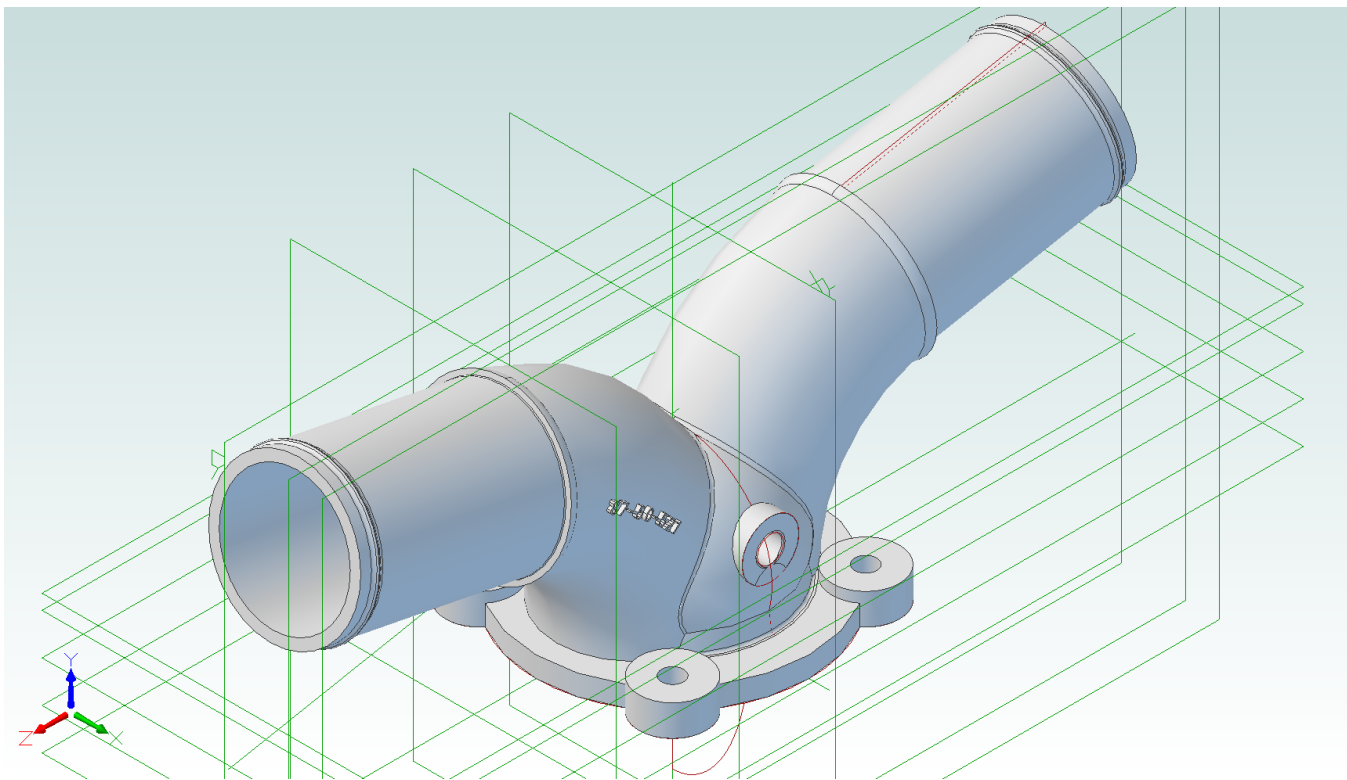


# Inlet "Y" - Engine Cooling Pump



87-50-521