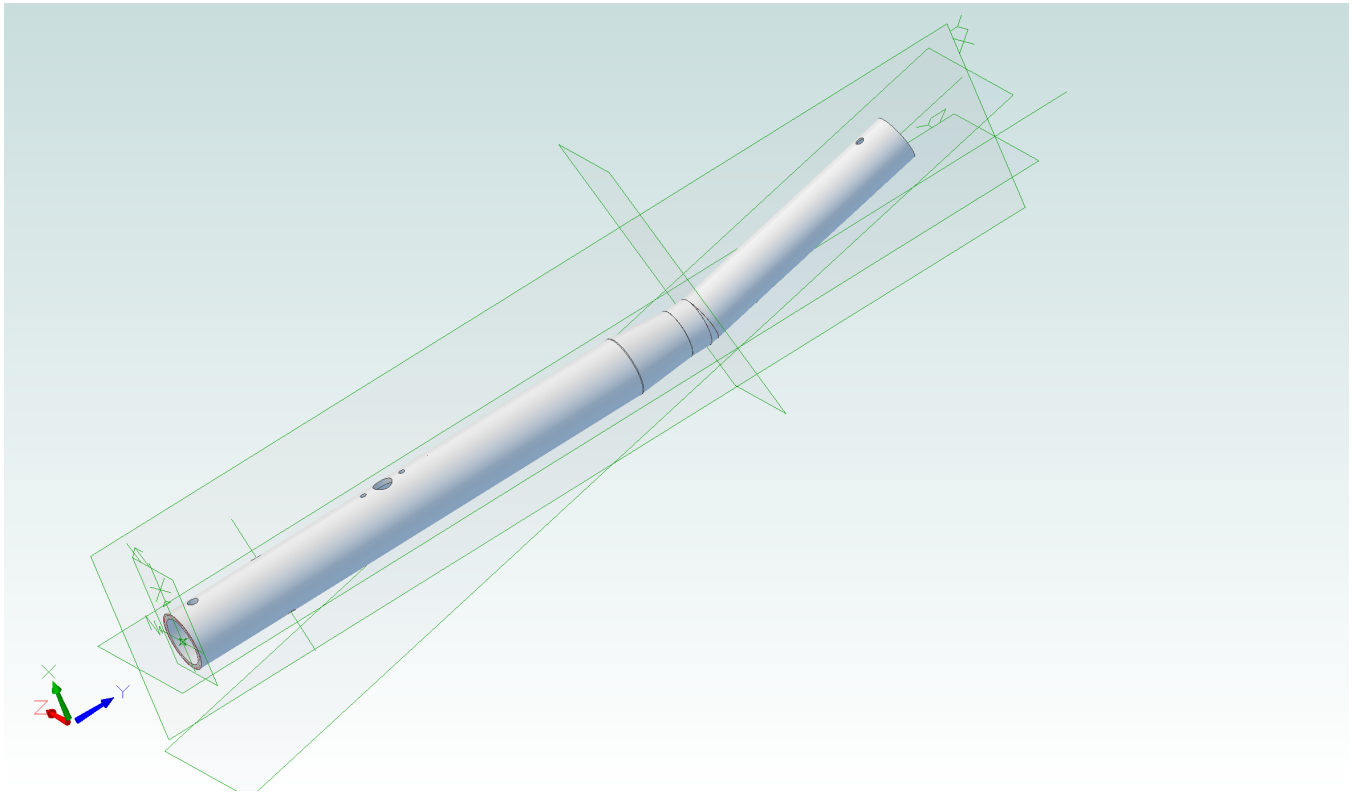


# Stick - Control



87-62-515