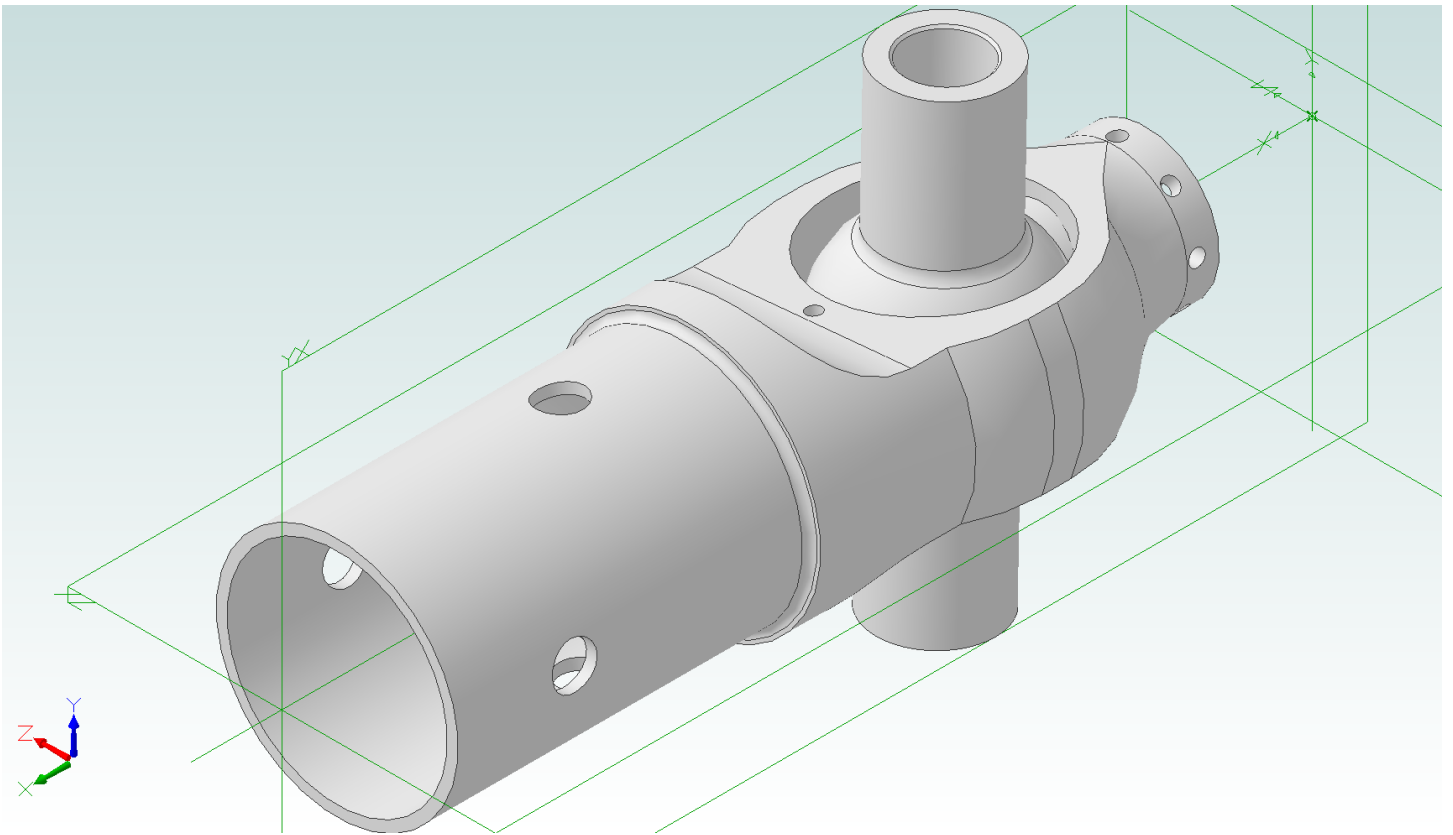
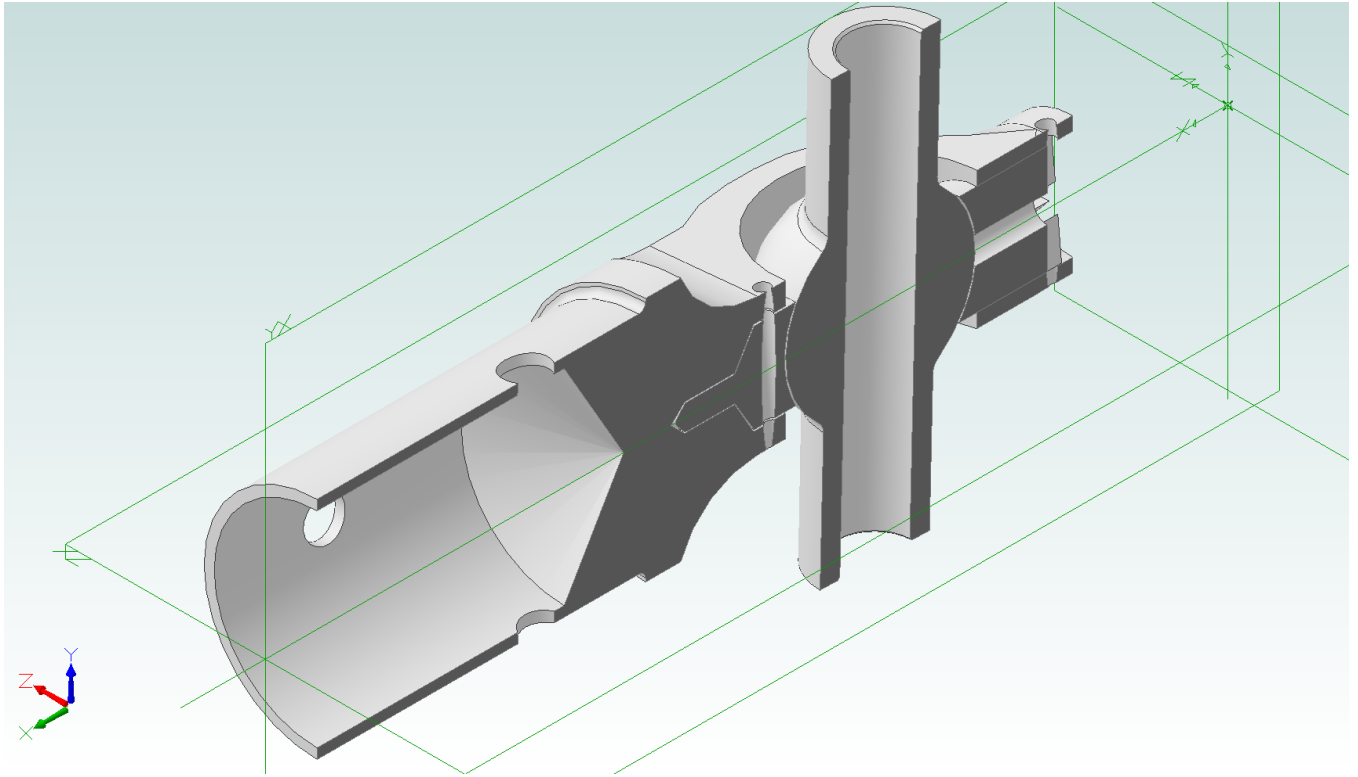


Rod Assembly - Partial



# Cross section



Exploded view

