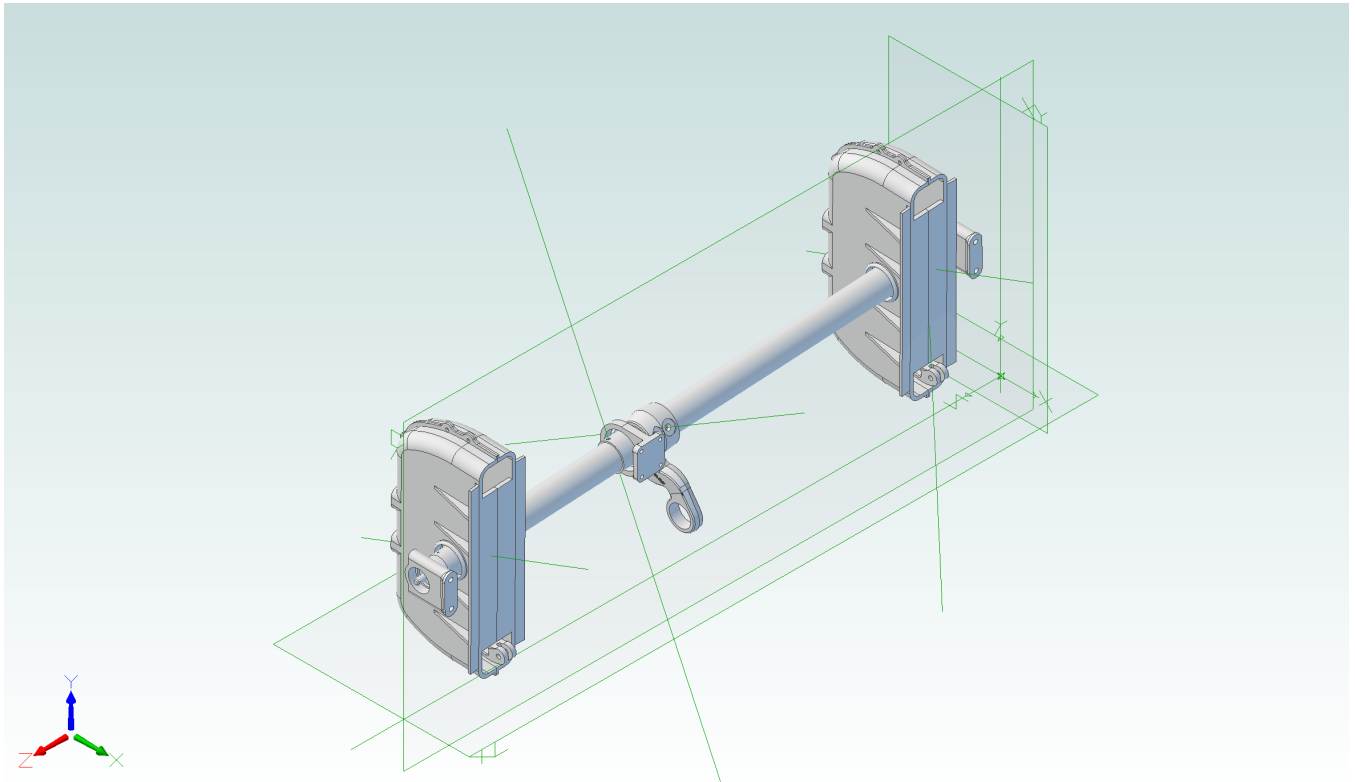


# Jackshaft Assembly - Elevator Control



87-64-510

# Exploded View

